

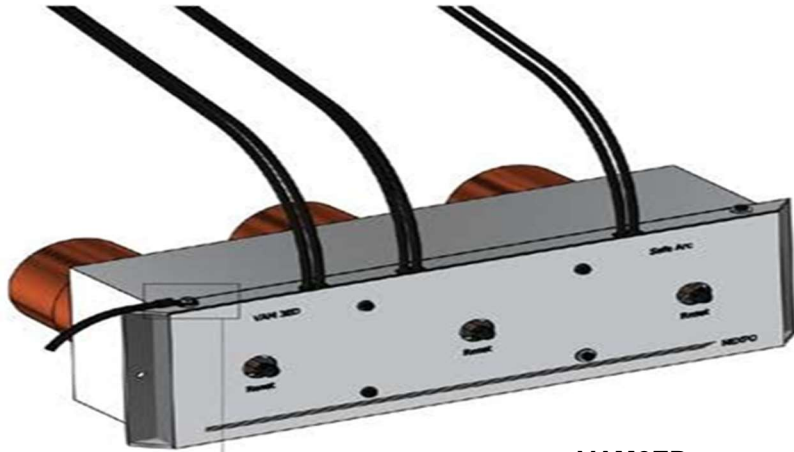
## Arc Eliminator - VAM3ED



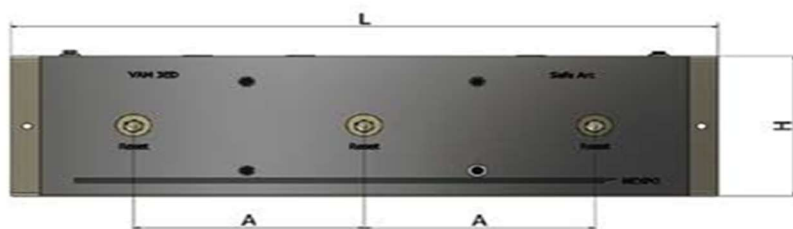
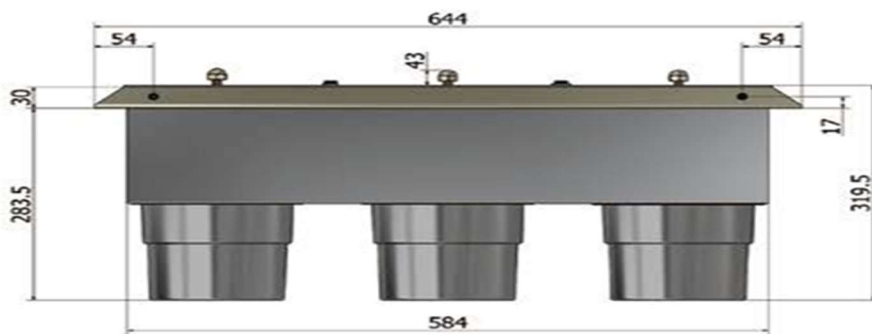
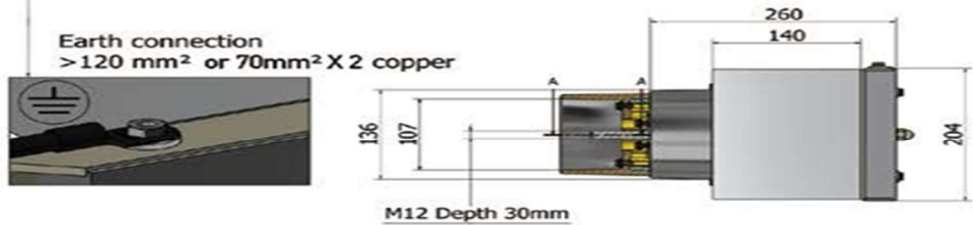
### ARC ELIMINATOR

- Advanced solution for arc resistant switchgear
- Less than 4ms total arc flash quenching time
- Applied to new and retrofit installation
- Provides personnel and asset protection
- Minimizes downtime
- Applicable when pressure relief is not possible such as marine & Offshore installations
- Thomson coil based shorting device
- Re-usable
- Self diagnostic function

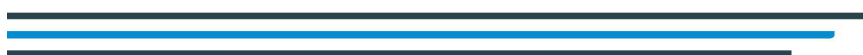
# Dimensional drawings



**VAM3ED**



Phase distance=210  
 A=210  
 H=150  
 L=570



## Technical data

### ■ VAM3ED Ratings

Rated voltage $U_e$	5 - 17.5 kV
Rated insulation level	BIL 38/95 kV
Rated short-time withstand current	40 kA/1s
Rated peak withstand current	100 kA
Operating time	< 4 ms
Operation without load	10 times
Operation with 40 kA load	2 times

### ■ Disturbance tests

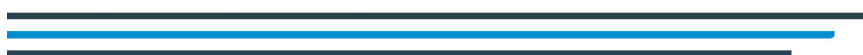
Emission	IEC 61000-6-4
Conducted transients	IEC 55011 0.15 – 30 MHz
Emitted transients	IEC 55011 30 – 1000 MHz
Immunity	IEC 61000-6-2
Static discharges (ESD)	IEC 61000-4-2 class III 6 kV breaking capacity 8 kV air discharge
Fast transients (EFT)	IEC 61000-4-4 class III 2/1 kV 5/50 ns, 5 kHz, +/-
Surge	IEC 61000-4-5, Class III 2 kV, common mode 1 kV, differential mode
Conducted high-frequency field	IEC 61000-4-6 0.15 ... 80 MHz, 10 V
Emitted high-frequency field	IEC 61000-4-3 80 ... 2000 MHz, 10 V
EMC test	CE approved

### ■ Test voltages

Rated dielectric withstand voltage	2 kV, 50 Hz, 1 min
Rated impulse withstand voltage IEC60255-	5 kV, 1.2/50 us, 0.5 J

### ■ Environmental conditions

Operating temperature range	-10 ... +55°C
Relative air humidity	<75% (1 year, average) 95% (30 days per year, condensation not)
Housing class (IEC60529)	IP20
Dimensions (WxHxD)	644 x 204 x 319 mm
Material	1.5 mm steel plate
Weight	27 kg



## Order Information

<b>VAM3ED</b>	Arc eliminator device
---------------	-----------------------

